

Installation and Maintenance Guide

CAUTION: Read these instructions before using this machine.



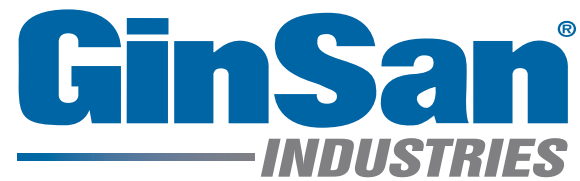
DRY 'N GO

GinSan[®]
INDUSTRIES

www.ginsan.com

800.446.7267

100142 2026



Thank you for your purchase of a
Ginsan Dry 'N Go system

For over 50 years, the team behind Ginsan, Industrial Vacuum Systems (IVS) and Trusco Manufacturing have built dependable wash, vacuum, and water purification equipment trusted by operators across the country. Every product is engineered for performance, durability, and ease of service.



Table of Contents

IMPORTANT SAFETY INSTRUCTIONS	5
Limited Warranty.	6
Specifications	7
Typical Installation	8
Wiring Diagrams	10



SAVE THESE INSTRUCTIONS

IMPORTANT SAFETY INSTRUCTIONS

When using electrical machine, basic precautions should always be followed, including the following:

READ ALL INSTRUCTIONS BEFORE USING THIS MACHINE

This Machine is not intended for household use. It is intended for commercial use.

This machine is not intended for wet pick up use.

WARNING – To reduce the risk of fire, electric shock, or injury:

- This machine must be connected to a permanent electrical power supply in full compliance with all applicable codes and ordinances by qualified personnel only. Read grounding instructions.
- Do not use on wet surfaces.
- Do not allow to be used as a toy. Close attention is necessary when used by or near children.
- Use only as described in this manual. Use only manufacturer's recommended attachments.
- Do not operate or handle machine with wet hands.
- Do not put any object into any openings. Do not use with any opening blocked; keep free of dust, lint, hair, and anything that may reduce air flow.
- Keep hair, loose clothing, fingers, and all parts of the body away from openings and moving parts.
- Do not pick up anything flammable or combustible liquids, such as gasoline, or use in areas where they may be present.
- Do not pick up anything that is burning or smoking, such as cigarettes, matches, or hot ashes.
- Do not pick up hazardous dust or particulate.
- Do not use without dust bags or filters in place.

GROUNDING INSTRUCTIONS

This machine must be connected to a grounded metal, permanent wiring system, or an equipment-grounding conductor must be run with the circuit conductors and connected to the equipment-grounding terminal or lead on the machine.

GROUND FAULT CIRCUIT INTERRUPTER PROTECTION

To provide additional protection from the risk of electric shock, this product shall only be connected to a circuit that is protected by a ground fault circuit interrupter (GFCI).

DANGER

Installation of this machine must incorporate and provide full disconnection of all poles in the event an overvoltage category III condition. Such incorporation to the fixed wiring must be in accordance with the wiring rules.



GinSan (Company) provides a limited one year warranty on components and piece of equipment produced by the Company to be free from defects in material and workmanship. Electrical assemblies see Appendix A, have a limited two year warranty on the controller to be free from defects in material and workmanship.

This limited warranty does not cover equipment that has been damaged due to misuse, misapplication, modification, altered, neglected, attempted theft, vandalism, connection to improper voltage supply, modification, or such parts that are commonly recognized to be subject to wear in normal usage. Normal use products are, but not limited to, those listed on Appendix B; which are warranted for 90 days. Every component and piece of equipment is packaged to assist in safe handling of the product.

Claims must be submitted in writing within the appropriate coverage period as covered by this warranty, from date of shipment, to the Company's warranty/repair department. If the return is approved, an RMA and labeling instructions will be issued and the product can be returned. Returned product without the appropriate RMA and label will be issued to scrap and all warranties/replacements will be considered null and void. If the product receiving the RMA is not returned within 20 days from date of issuing the RMA then any credit toward the product will be reduced by 25%. If the product is not returned within 30 days of issuing the RMA then any credit will be reduced by 50%. A testing fee of \$20.00 will be applied, if the product passes all tests related to the written claim, then the fee will be applied and paid prior to return of the product. If the product fails the test then the fee will not be applied. If a product is determined to be non-repairable, a \$20.00 testing fee will be applied. The Company may charge a 20% restocking fee for returned product and/or an order, which is canceled and/or material has already been ordered and/or received to fill such order.

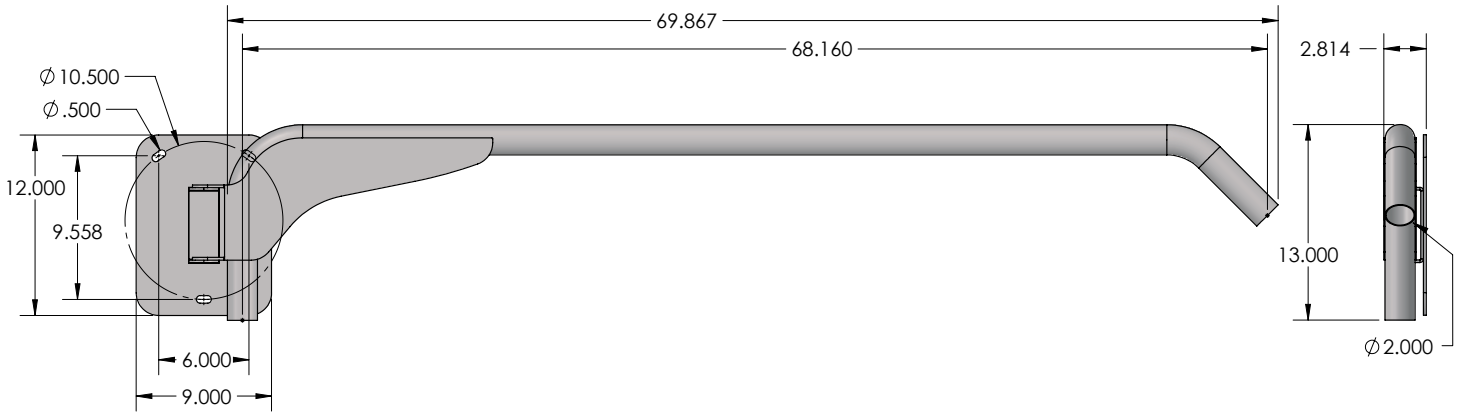
The Company's warranty/repair department will inspect all components, submitted under warranty. Warranty replacement will be based solely on the analysis and confirmation that the product defect was caused by material and/or workmanship. The company reserves the right to change the design of the product without assuming any obligation to modify any product previously manufactured or to replace warranted product other than with redesigned product.

In some cases it is easier for the customer to send a Company purchased product direct to the manufacturer for replacement. In those cases the customer will be notified that their product falls under that process and should work with that manufacturer directly. Appendix C shows the purchased parts that falls under this case.

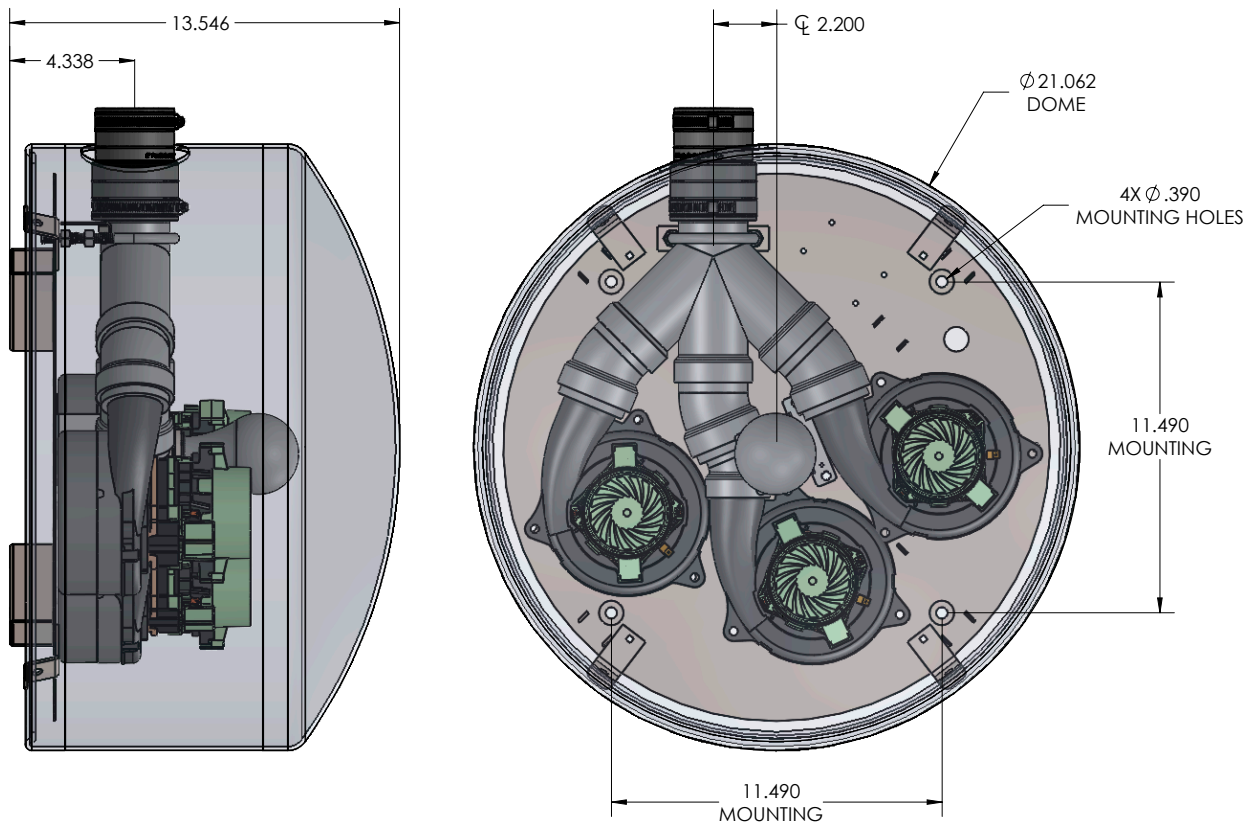
This warranty covers the product replacement only; charges for damages, freight and/or labor will not be accepted. There are no warranties expressed or implied which extend beyond this Limited Warranty. The loss of use of the product, loss of time, inconvenience, commercial loss, incidental or consequential damages is not covered. The Company shall not be liable for incidental, special, or consequential damages including without limitation damages resulting from personal, bodily injury or death or damages to or loss of use of property



Specifications



Mounting requires three 3/8" fasteners



Mounting requires four 3/8" fasteners



Typical Installation



DRY 'N GO

1. Select Dry function.
2. Point Nozzle at car.
3. Blow vehicle from top to bottom.
4. Return Nozzle to holder.

Ginsan



Typical Installation



1. Select Dry function.
2. Point Nozzle at car.
3. Blow vehicle from top to bottom.
4. Return Nozzle to holder.

Optional 16" x 23" Bay Signage

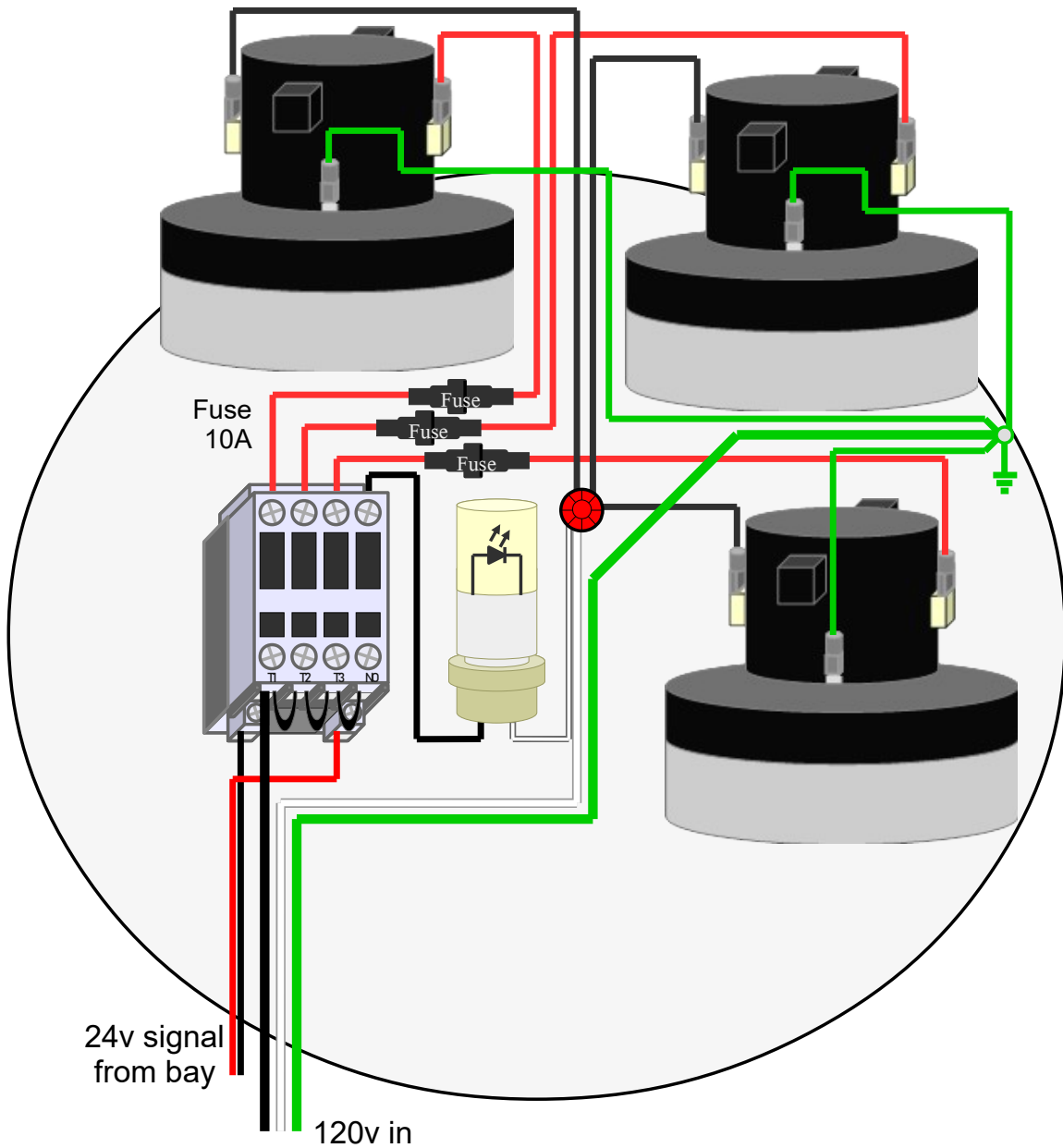
Part Number: 210731





Wiring Diagram

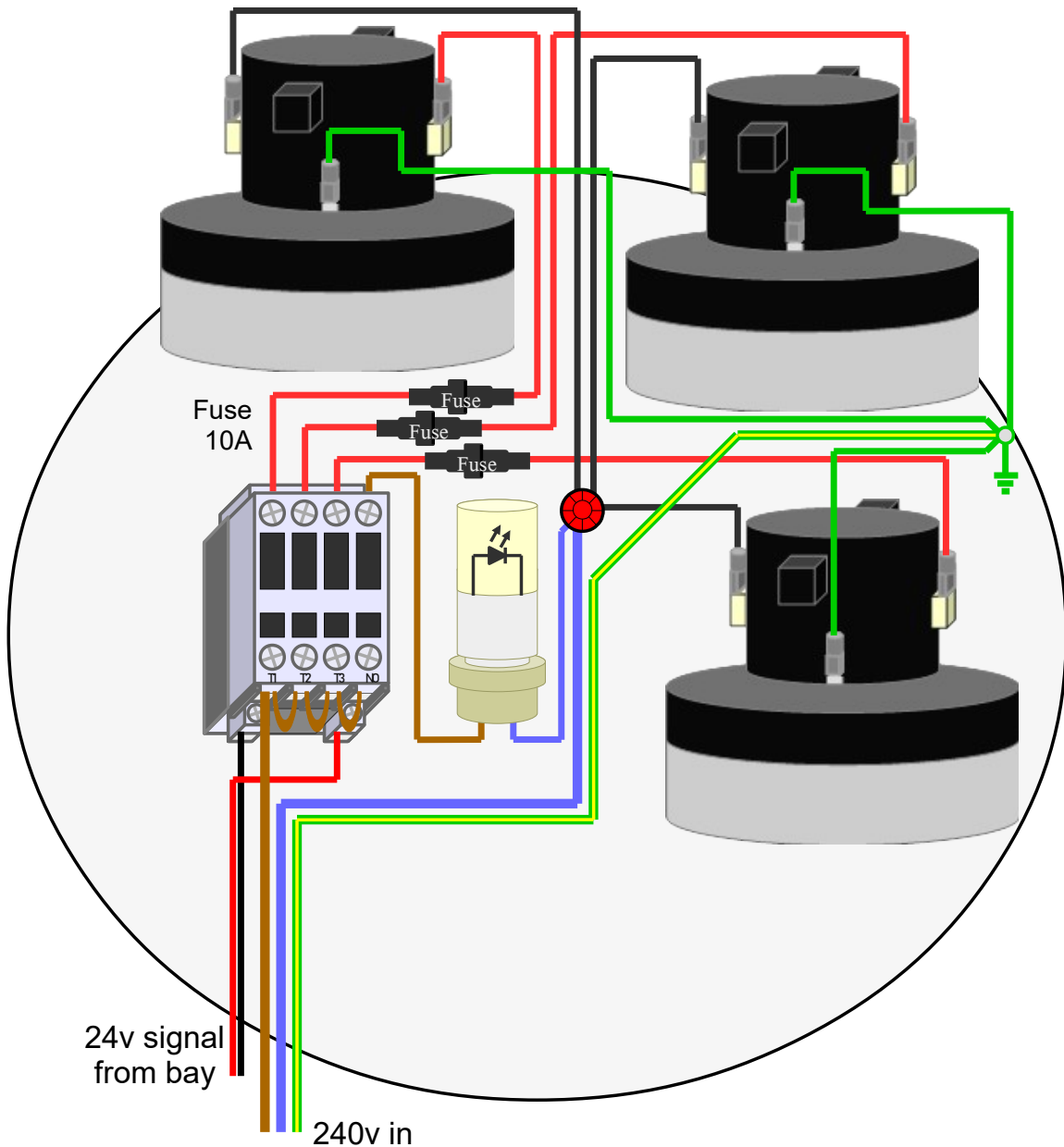
Air Dryer, 3 Motor 120v



- Three high-performance 120v/240v Hi-Flow motors (pre-wired and factory tested)
- 120v system: 1-phase / 30-amp circuit (Motor: 91.5 CFM each)



Air Dryer, 3 Motor 240v



- Three high-performance 120v/240v Hi-Flow motors (pre-wired and factory tested)
- 240v system: 1-phase / 20-amp circuit (Motor: 97.8 CFM each)

Installation and Maintenance Guide

CAUTION: Read these instructions before using this machine.



DRY 'N GO

GinSan[®]
INDUSTRIES

www.ginsan.com

800.446.7267

100142 2026